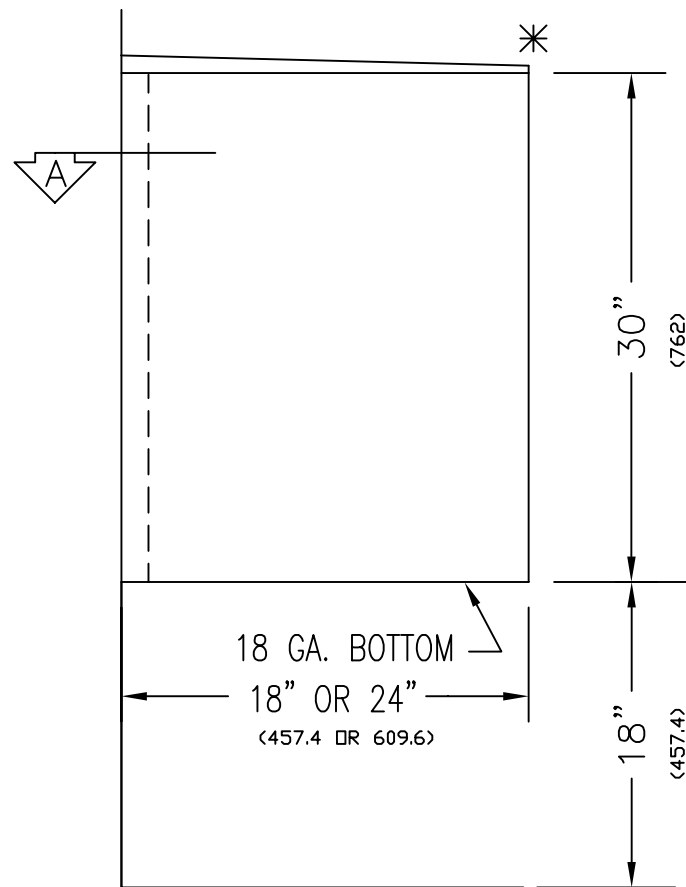
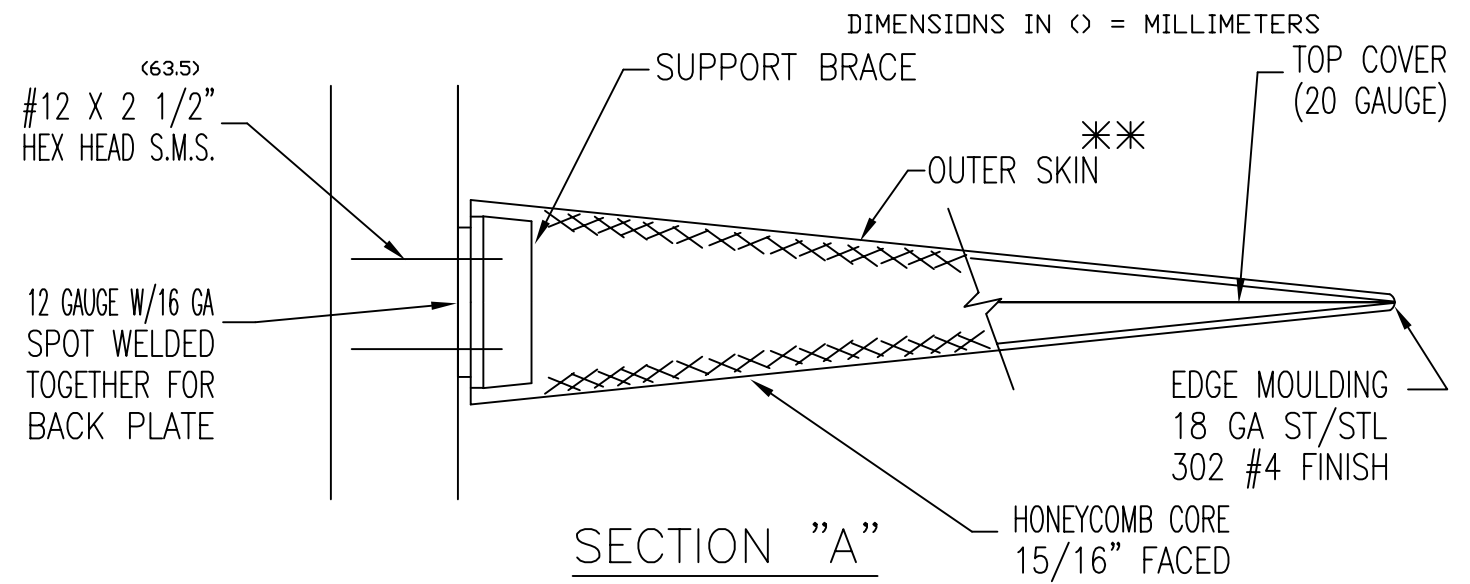


**
NOTE:
AVAILABLE IN 2 FINISHES: POWDER SHIELD
USING 20 GAUGE BONDERIZED, GALVINIZED
STEEL OR 18 GAUGE STAINLESS STEEL 302 #4
SATIN FINISH.

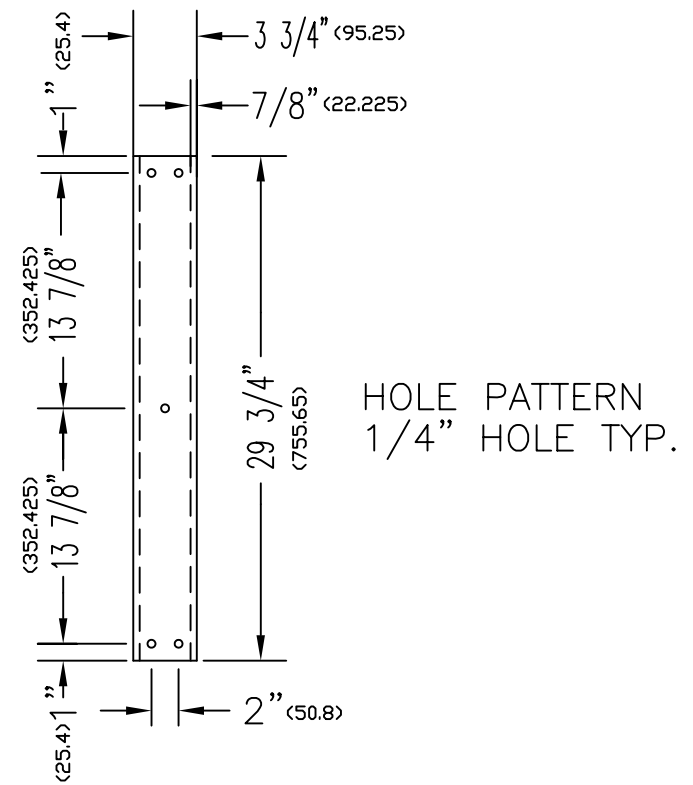


ELEVATION

* NOTE
ALL SEAMS AND
JOINTS SPOTWELDED
EXCEPT FOR (*) TOP
CORNER TO BE WELDED
& GROUND SMOOTH.



SECTION "A"



BACK PLATE

HOLE PATTERN
1/4" HOLE TYP.



METPAR CORP.

95 State Street, Westbury, LI, NY 11590

V-SCREEN