

8" Aluminum hinge installation

NOTE: DO NOT REMOVE THE CARDBOARD SPACER FROM THE BOTTOM HINGE UNTIL AFTER INSTALLATION OF THE DOOR IS COMPLETE.

Top hinge: Install the top part of the top hinge to the door. Mount it 2" down from the top of the door. Secure it by first drilling a $\frac{3}{32}$ " pilot hole $\frac{1}{2}$ " deep into the edge of the pilaster. Secure the hinge to the door with the 1" st/st #8" hinge screw. Drill $\frac{1}{4}$ " holes through the pre-drilled holes in the hinge through the face of the door. Secure the hinge to the door with the st/st sex-bolts.

Middle hinge: (If they are required). Install the top part of the middle hinge to the door. Mount it from the bottom part of that piece to the center of the door. Secure it to the door the same way as the top hinge.

Bottom hinge: Install the bottom part of the bottom hinge to the door. Mount it 2" up from the bottom of the door. Secure it to the door the same way as the top hinge.

Using a 14" x 14" spacer block (not provided) to support the door, place the door between the pilasters. Secure the bottom part of the top hinge to the pilaster, and then secure the top part of the bottom hinge to the pilaster.

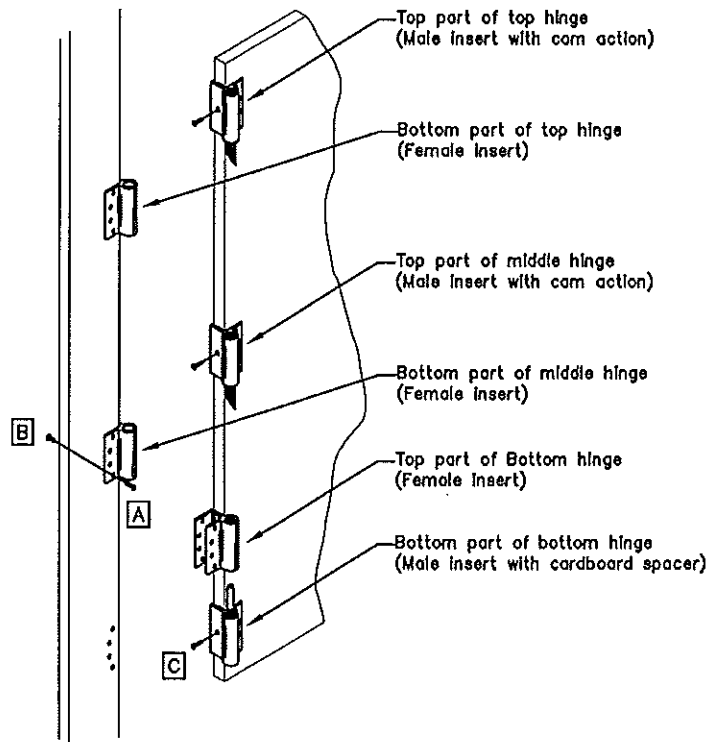
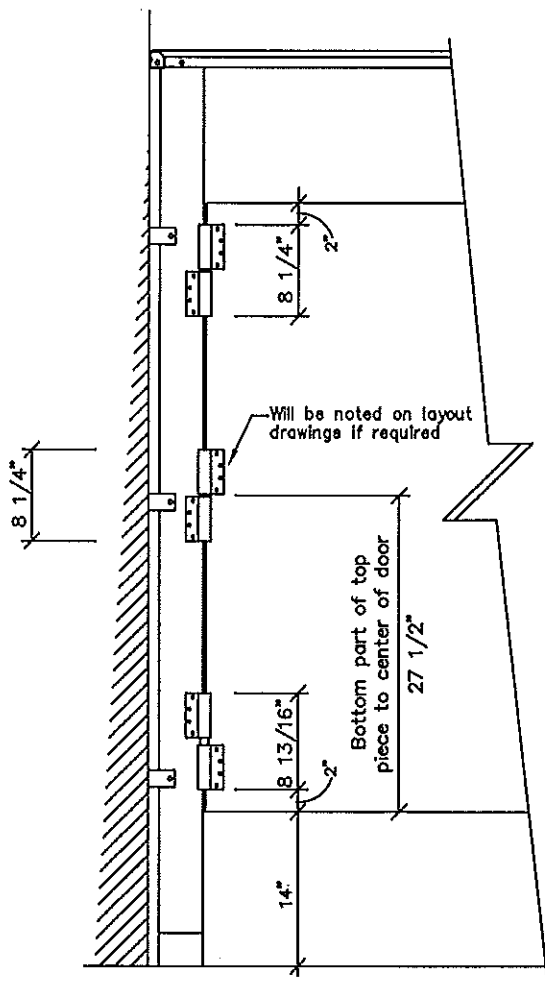
NOTE: The top and middle hinge contain the cam mechanism. The cardboard spacer between the bottom hinge must be removed after installation.

Standard 8" alum. hinge (Top & bottom hinge)

HHKITAL01

Middle hinge (Same as top hinge)

HHKITAL02



Note: Hinge barrel will be located on the same side that the door swings.

Example: barrel will be on the outside of the stall for an outswing door.

FASTENER KIT (1 pack per top, middle, bottom set)

HFPKHG02

QTY.	ITEM #	DESCRIPTION
8 - [A]	HF843SBM	- .830, SEXBOLT MALE
8 - [B]	HF718SBF	- .830, SEXBOLT FEMALE
2 - [C]	HF1HSS	- 1", #8" HINGE SCREW



SCRANTON
PRODUCTS



HINY
HIDERS



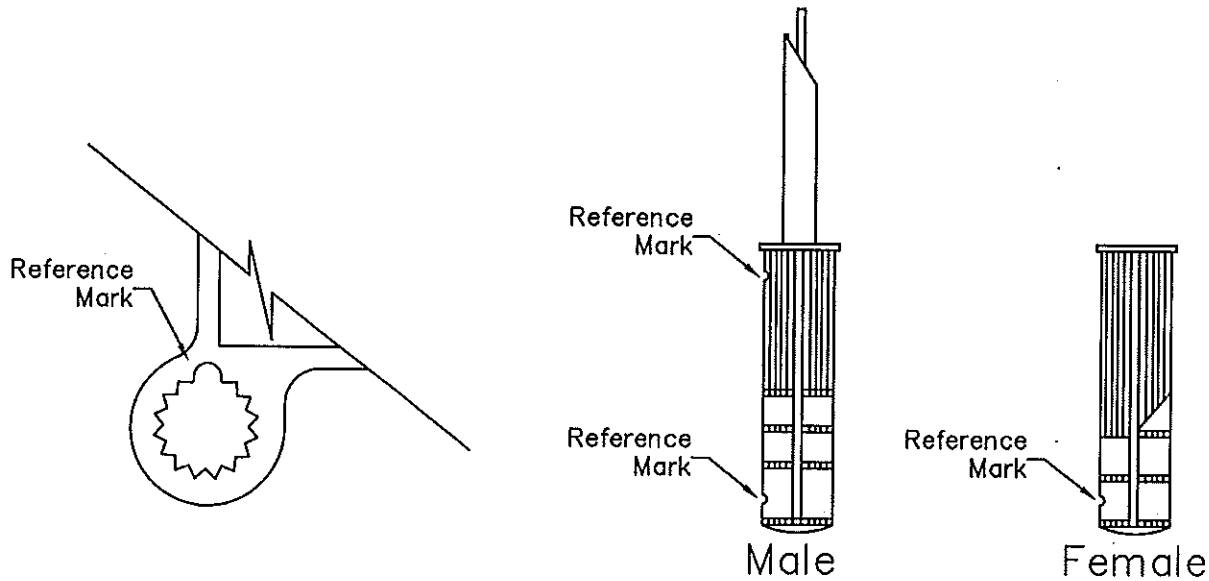
TUFFTEC
LOCKERS



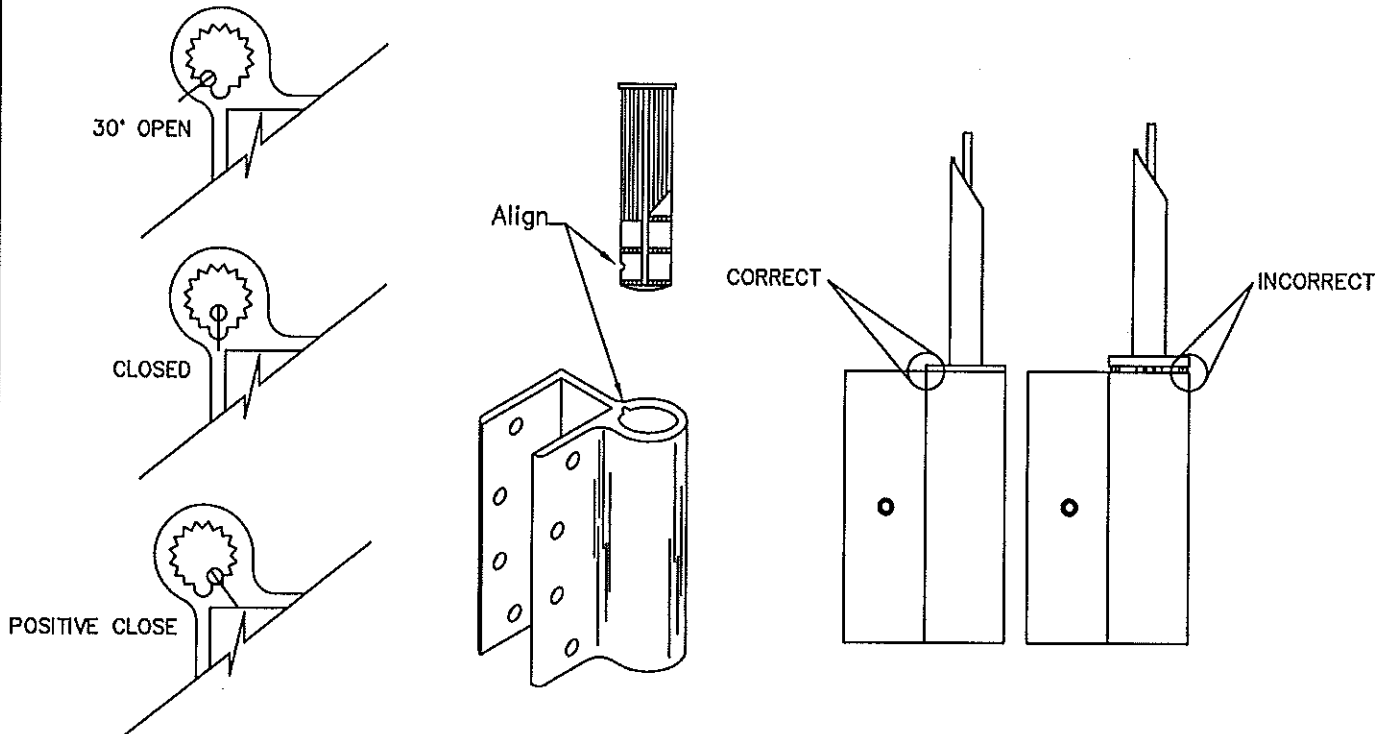
RESISTALL
PARTITIONS

8" Aluminum hinge Open & Closed Adjustments

Make note that the hinge blanks and inserts have reference marks used in setting the hinge position.



(1) Insert the female into the hinge blank, for top and middle sets, so the reference marks align.



(2) Adjust the degree of the hinge's rest position (30° increments) by moving the position of the male insert into the hinge blank (top set).

(2a) Closed position: insert the male insert into the the hinge blank so that the reference marks align.
Note: for a positive close, set the insert to the -30° position. (Do not exceed -30°)

(2b) 30° open position: Insert the male insert into the the hinge blank so that the reference mark of the insert aligns one position from the blank reference mark as shown. (See closing chart)

(3) The hinge collar should fit tightly against the hinge blank as shown.



SCRANTON
PRODUCTS



HINY
HIDERS



TUFFTEC
LOCKERS



RESISTALL
PARTITIONS