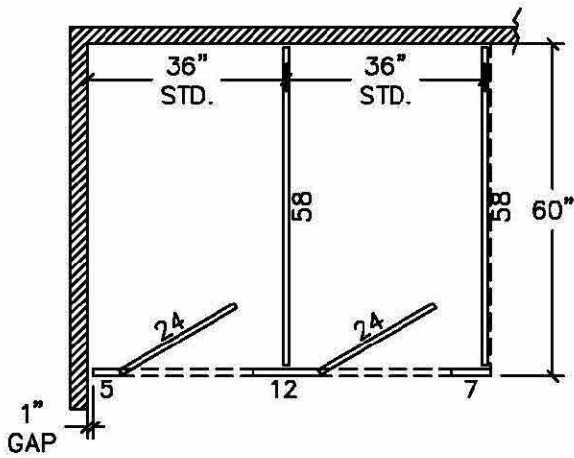


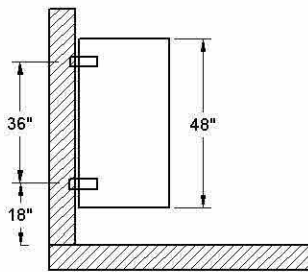
DETAILS

**PLASTIC LAMINATE
FLOOR ANCHORED /
OVERHEAD BRACED**



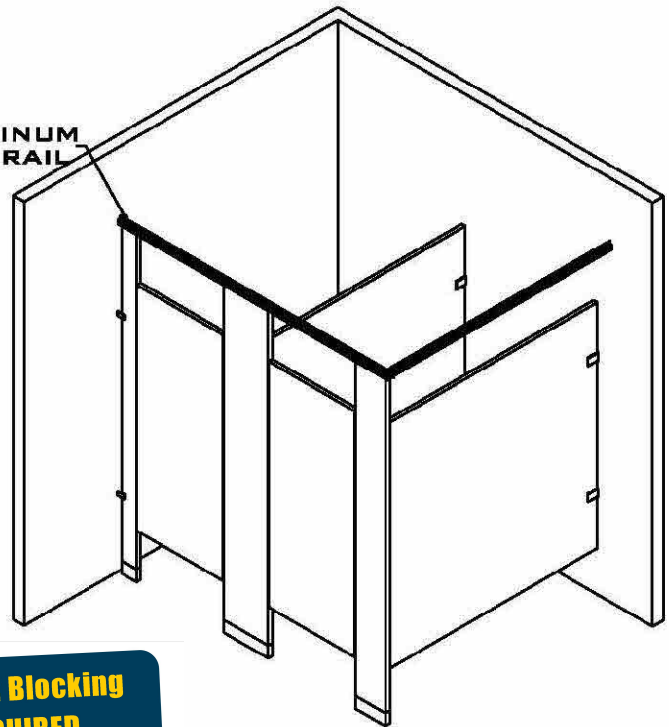
**STANDARD
CONFIGURATION**

(See Layouts)

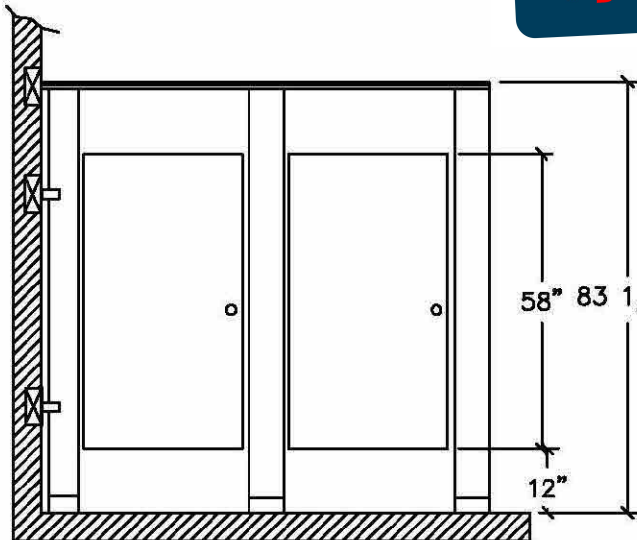


Urinal Screen Backing Locations

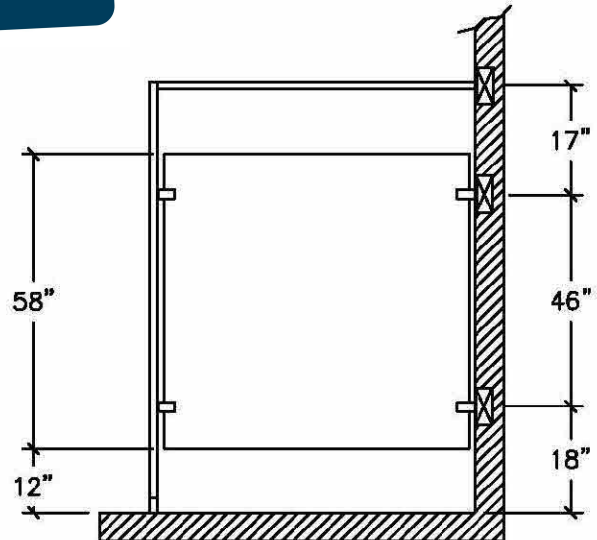
**ALUMINUM
HEADRAIL**



**In Wall Blocking
REQUIRED
For this Product
By Others**



FRONT ELEVATION



SIDE ELEVATION

 **BLOCKING IN WALL BY OTHERS**

REV 12/04



**PLASTIC LAMINATE
FLOOR ANGHORED /
OVERHEAD BRACED
NOT TO SCALE**