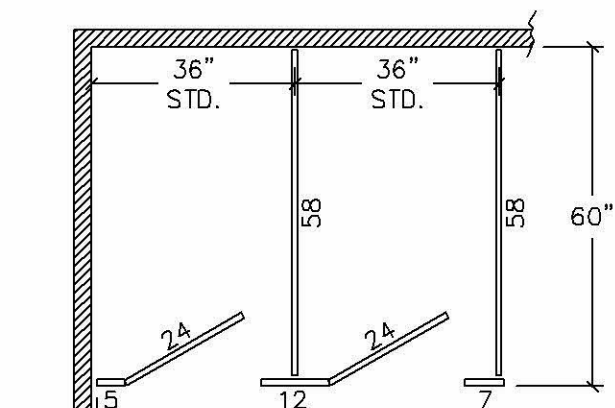
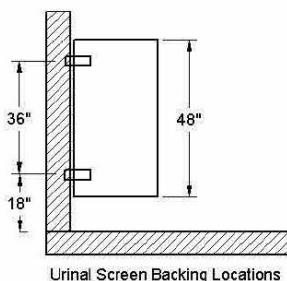
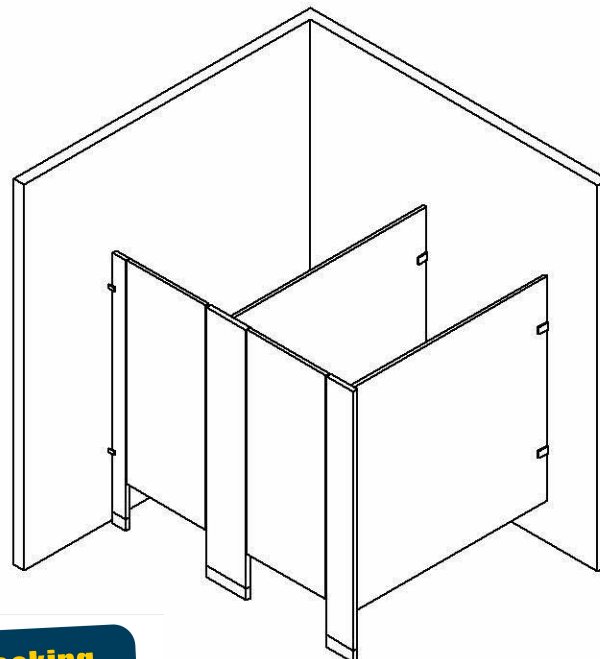


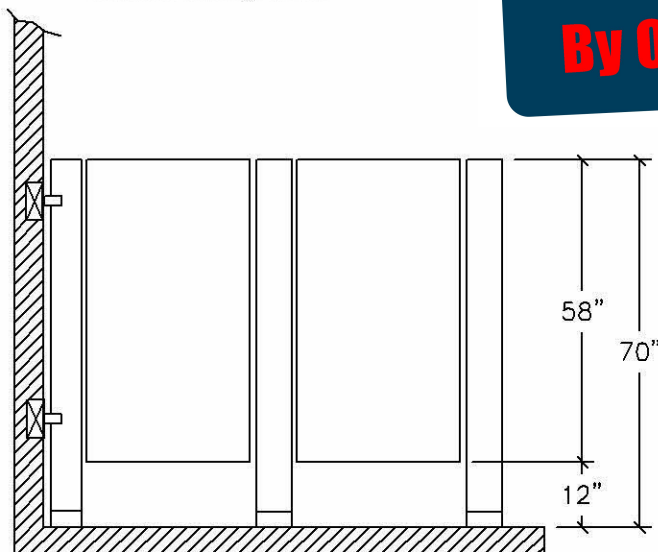
PLASTIC LAMINATE
FLOOR ANCHORED
5.7



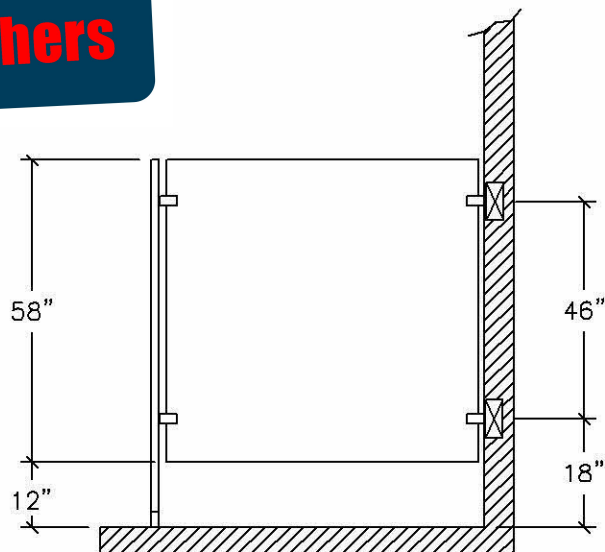
**IC - 2
STANDARD
CONFIGURATION**



**In Wall Blocking
REQUIRED
For this Product
By Others**



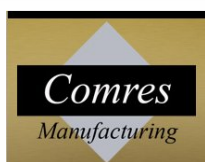
FRONT ELEVATION



SIDE ELEVATION

BLOCKING IN WALL BY OTHERS

REV 12/04



**PLASTIC LAMINATE
FLOOR ANCHORED
COMPARTMENTS
NOT TO SCALE**