

Comres Manufacturing Installation Instructions for Overhead Braced Style

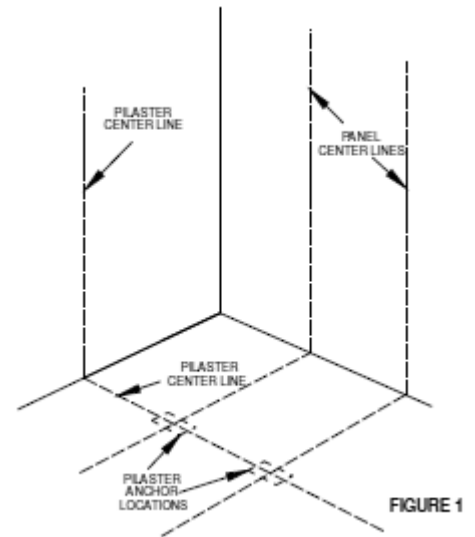
Step 1 - INSPECTION

Components shipped for this product have been custom fabricated, and inspected for damage prior to shipping. Please inspect shipment for any damage and file claim with supplier for any damage found.

Step 2 - LAYOUT

- Review enclosed shop drawings against actual room measurements.
- Mark center lines on back wall using stall width dimensions on shop drawings as guidelines. Adjust as necessary to center panel between toilets. **NOTE:** Check center lines for U brackets on back of pilasters prior to changing stall widths.
- Mark center lines for pilasters on side wall. Use overall stall depth minus 5/8".
- Install brackets at 18" AFF and 64" AFF at marked center lines. Use 1/4" masonry bit for tile and block walls. Use 2" screws to fasten brackets to walls.

(See Figure 1)

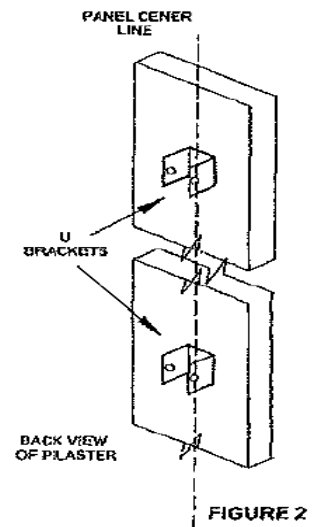


Step 3 - FLOOR LAYOUT

- Set wall pilaster in brackets and place anchor plate underneath. Set proper gap between wall and pilaster, then scribe a line on backside of anchor plate to floor with pencil. Remove pilaster, set anchor plate on line and mark holes in floor. Drill 1/4" hole in floor for plastic anchors and secure anchor plate to floor using 2" screws.
- Set stainless steel shoe over anchor plate and set pilaster in shoe and brackets. Set gap between wall and pilaster using dimension shown on shop drawing. Level plumb pilaster and fasten to brackets using 5/8" screws.
- Snap a chalk line on floor for remaining pilasters. Measure door openings between pilaster shoes. Set anchor plate in shoe, mark and drill floor. Install anchor plates as in step 3a.

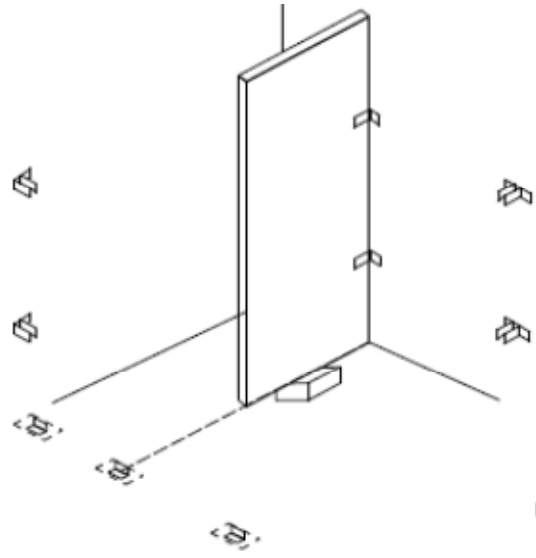
Step 4 - PILASTER PREPARATION

- Verify centerlines of panels behind pilasters prior to installation of U brackets.
- Measure up from bottom of pilaster (capped end) 17-3/4" and 63-3/4" and install U brackets using 5/8" screws.

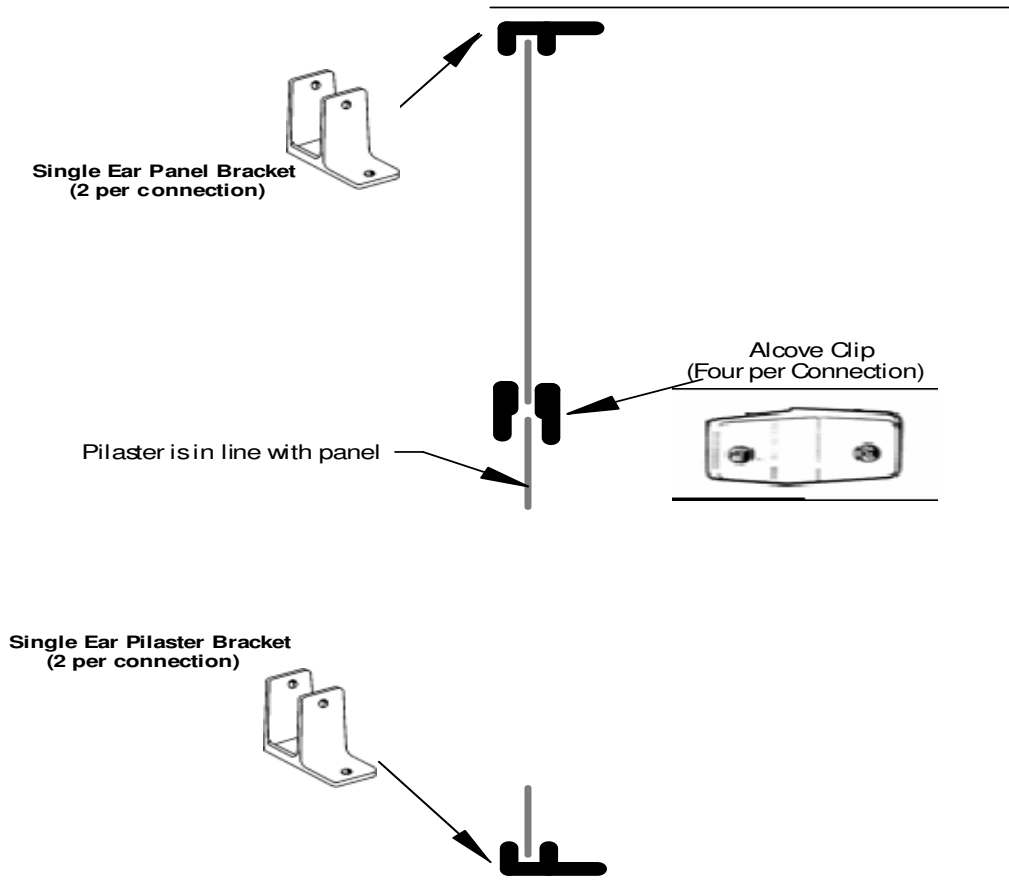


Step 5 - PANELS

- a. Set panel on 12" block @ back wall in first set of brackets on wall (a hydraulic jack of some kind helps aid the process at the front end of panel).
- b. Level panel.
- c. With panel in place, set pilaster in shoe and over the front of panel. Put a level across top of pilasters. Raise or lower pilaster by either cutting top of pilaster to lower, or elevating pilaster using a screw in bottom of pilaster to elevate.
- d. Move panel all the way into U brackets. Make sure front of pilaster is plumb. Secure pane in brackets using 5/8" screws.

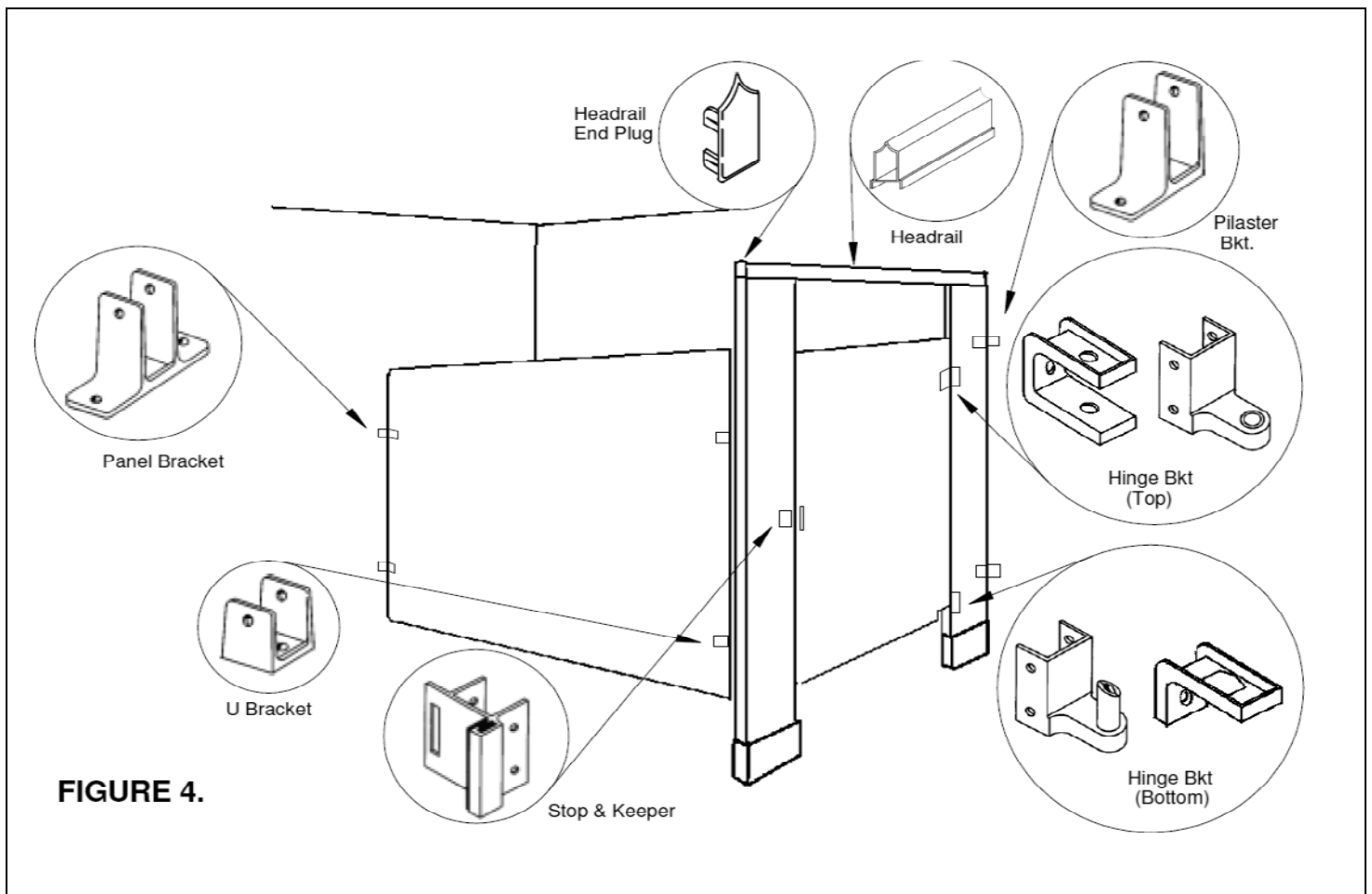


Step 5A - MOUNTING BRACKETS FOR CLOSED ALCOVE



Step 6 - INSTALLING DOORS

- a. Determine swing of doors as indicated on shop drawings.
- b. Install bottom hinge bracket on pilaster by using a 48" level across bottom of panel to bottom of hinge bracket. Secure with thru bolts provided in door kit.
- c. Measure up from bottom of lower hinge bracket to middle ear on top hinge bracket, 55-1/2", and secure with thru bolts. .
- d. Measure from top of pilaster 38-3/4" down to the top of stop and keeper and secure with thru bolts.
- e. Assemble door by installing top and bottom hinge escutcheons and securing to door with #8 X 3/4" screws provided in door kit. Insert female cam in bottom escutcheon. **NOTE:** Drill out 5/8" hole in bottom of door if cam is too tight, otherwise door will not work properly.
- f. Drive in 3/8" metal hinge pin in to top of door and only half way through escutcheon opening.
- g. Set completed door on bottom hinge bracket previously installed in step 6, and drive through hinge pin half of the way through top hinge escutcheon until flush with top of door.
- h. We will complete door installation in a later stop.



Step 7 - HEADRAIL

- a. Add up all front dimensions, pilasters, door openings, and cut aluminum headrail to length.
- b. Headrail does not get attached to wall in any way, except in an alcove situation.
- c. Align headrail on top of pilasters and secure with a 5/8" screw through side of headrail on inside of toilet compartment. *NOTE: Pre-drilling holes in headrail preserves the aesthetics of the material.*
- d. Measure and check door openings for proper gaps when securing headrail.
- e. After securing headrail, adjust bottom of pilasters to achieve a uniform gap from top to bottom. Drill a 3/16" hole in back of shoe and secure with a 5/8" screw.
- f. If layout is a corner situation, cap end of headrail.
(See Figure 4)

Step 8 - DOOR HARDWARE

- a. Complete door installation by setting latch on door, marking and drilling 1/4" holes for inswing door, and 3/16" holes for outswing door.
- b. Install latch with thru bolts provided in door kits. Inswing doors get a smooth button female bolt, and outswing doors get long thru bolts that pass through latch and into door handle.
- c. Install coat hook and bumper in upper corner above latch approximately 1" down and 1" over.
- d. Adjust door resting position by adjustment of screw on bottom of hinge bracket. Inswing doors are adjusted for approximately 20 degree opening. Outswing doors are adjusted for a fully closed position.
- e. This completes the installation. Time to stand back and admire your work and make any necessary adjustments. For further instructions, contact Comres Manufacturing @ (813) 249-0391.

Urinal Screen Installation – (See Figure 5)

Step 1 - BRACKETS

- a. Locate urinal screens between urinals as indicated on architectural drawing, making adjustment as necessary.
- b. Mark wall brackets @ 18" AFF and 48" AFF. Brackets for urinal screens have longer ears than standard T brackets and have two holes for attaching screen.
- c. Place screen on block 12" above floor. Plumb and secure with 5/8" screws.

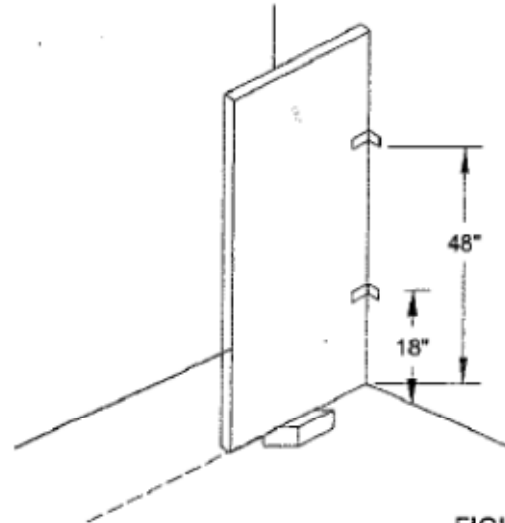


FIGURE 5