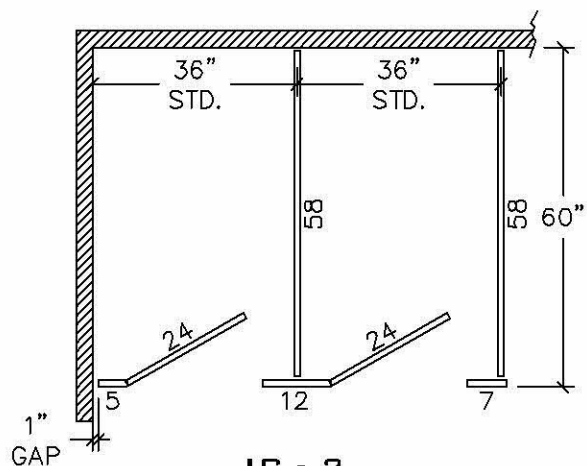
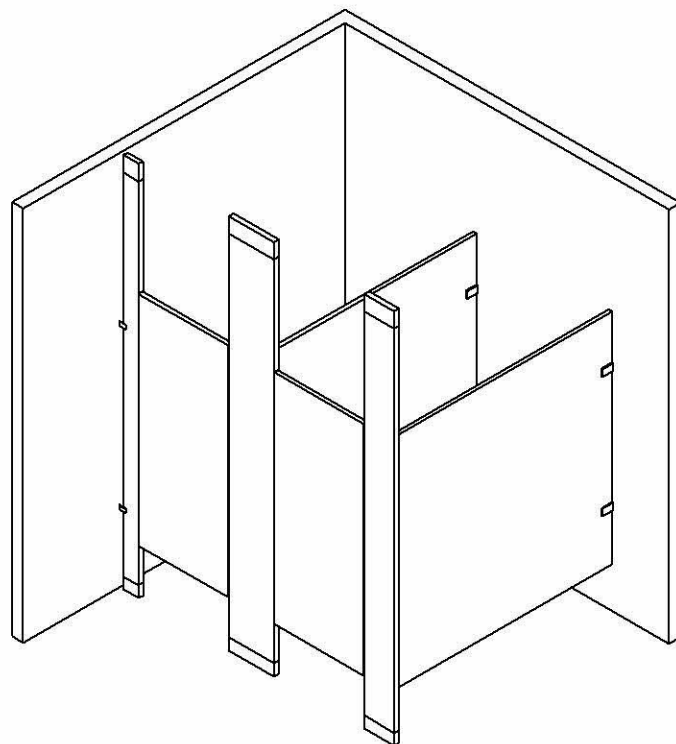


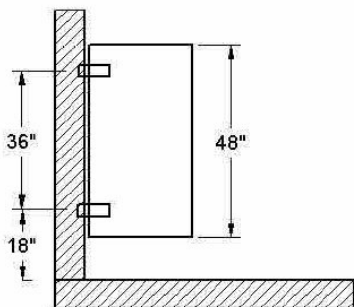
PLASTIC LAMINATE
FLOOR-TO-CEILING ANCHORED
5.13



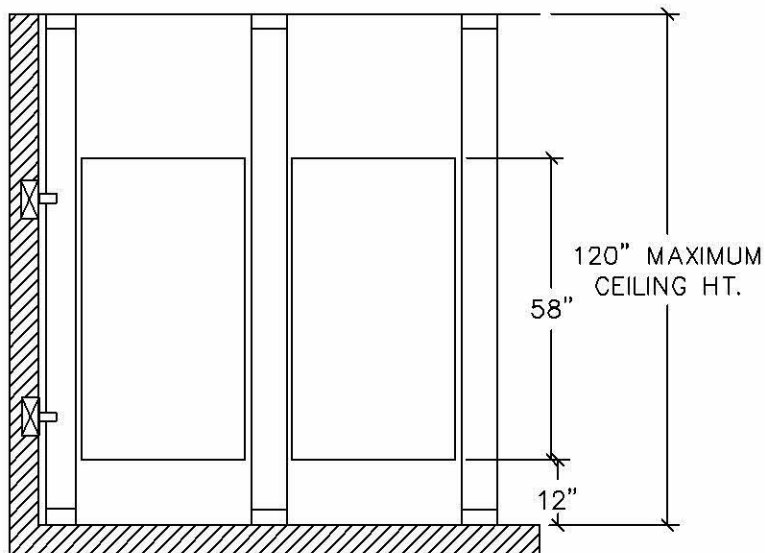
IC - 2
STANDARD
CONFIGURATION



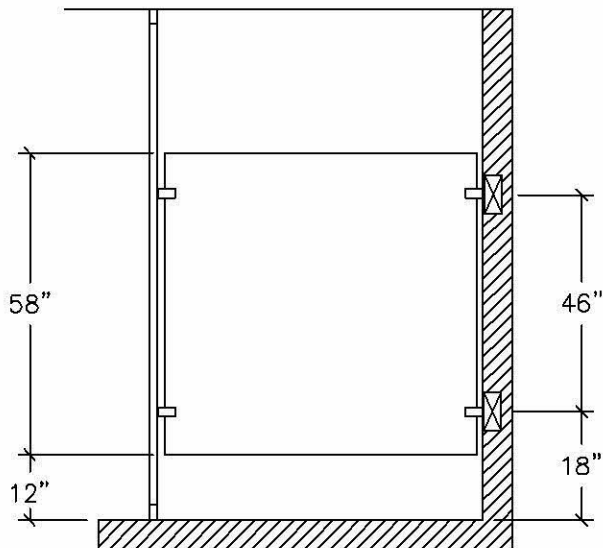
In Wall Blocking
REQUIRED
For this Product
By Others



Urinal Screen Backing Locations



FRONT ELEVATION



SIDE ELEVATION

BLOCKING IN WALL BY OTHERS

REV 12/04

PLASTIC LAMINATE
FLOOR-TO-CEILING ANCHORED
NOT TO SCALE