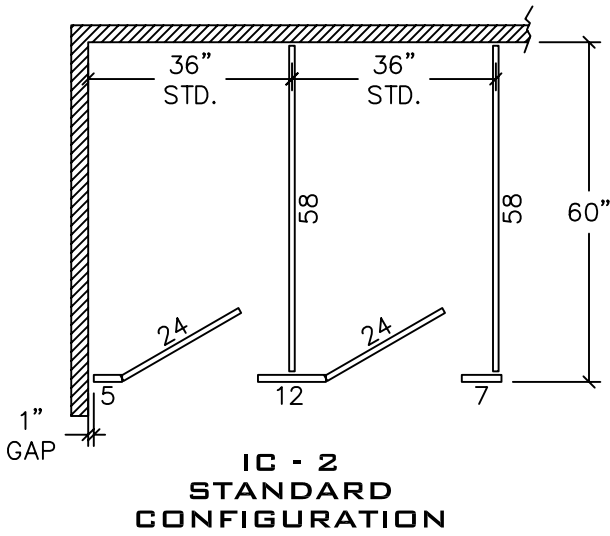
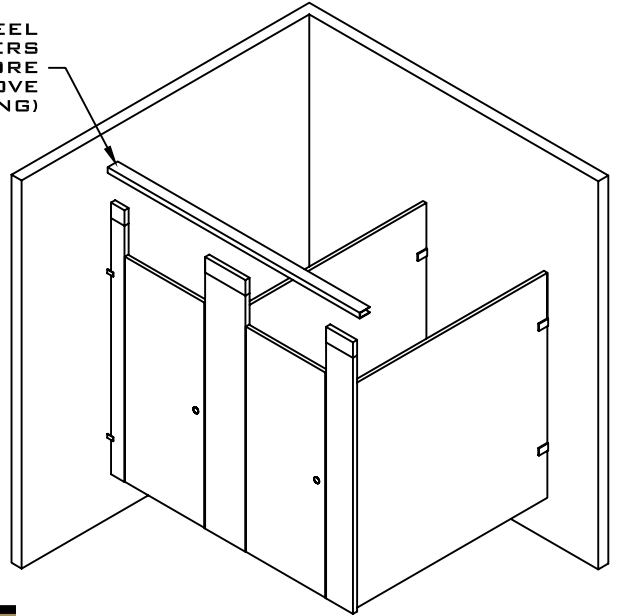


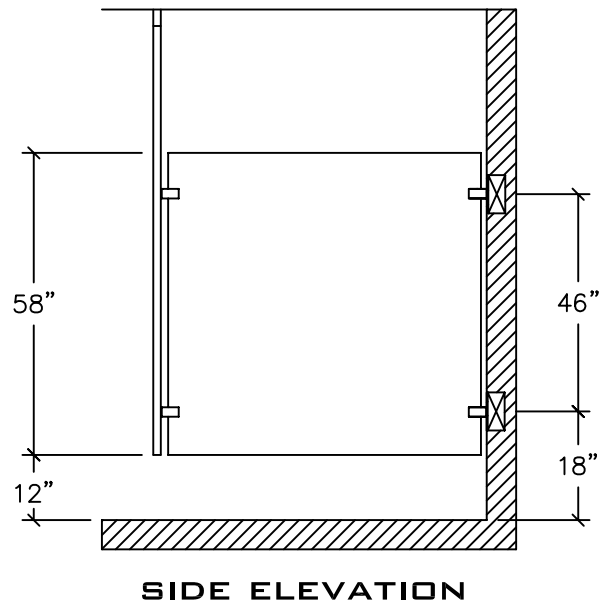
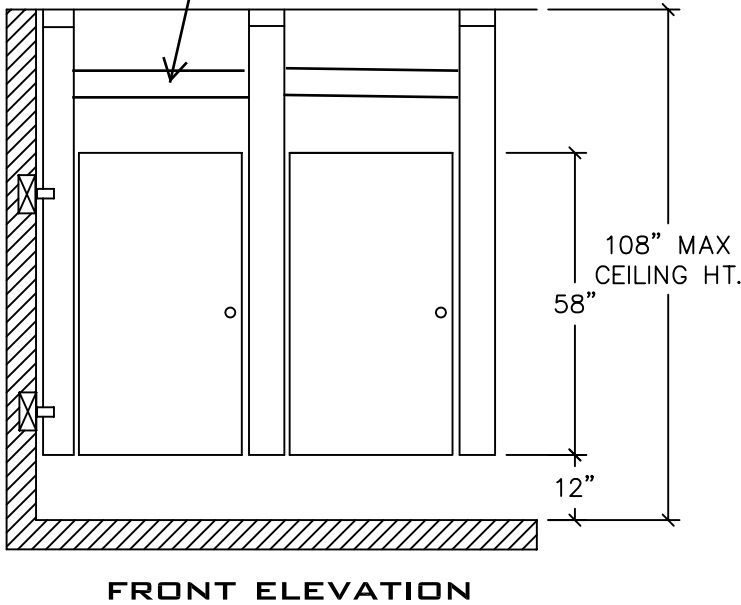
PLASTIC LAMINATE  
CEILING HUNG  
5.10



STRUCTURAL STEEL  
BY OTHERS  
(LOCATED NO MORE  
THAN 2 1/2" ABOVE  
FINISHED CEILING)



Laminated Headrail  
- Typ.



⊠ BLOCKING IN WALL BY OTHERS

REV 12/04